

VC 1530SP • VC 1530SA



SPARKY

HD PROFESSIONAL

Wet / Dry Vacuum Cleaners - class L, M *

Comes complete with: VC 1530SP - PET Cartridge filter, Fleece filter bag, Suction hose Ø32mm/4m, Aluminium extension tubes 2pcs, Combi nozzle, Brush nozzle, Crevice nozzle, Tool adapter;
 VC 1530SA - Flat filter 2pcs, Disposal bag, Suction hose Ø36mm/5m AS, Tool adapter for Clicks it, Blowing adapter.



Technical Data

Model		VC 1530SP	VC 1530SA
Power input	W	1200	1200
Power max	W	1500	1500
Electrical power for tools	W	2400	2400
Container volume	l	30	30
Maximum airflow	l/min	3700	3700
Under pressure	mbar	250	250
Noise level 1 m distance (working distance)	dB/A	62 (59)	62 (59)
Cable length	m	7.5	7.5
Filter cleaning system		Press & Clean	Automatic Clean
Weight	kg	10	12
Cat. No.		13000202907	13000203008



* Both models can be delivered in 2 modifications - class L and class M.

SPARKY Power Tools GmbH
 20, Leipziger Strasse
 10117 Berlin, Germany
 Tel.: +49 30 203916-0
 Fax: +49 30 203916-66
 E-mail: powertools@sparkygroup.com

FILTER EFFICIENCY:

class L

HEPA - 95% – 99%

class M

HEPA - 99% – 99.995%

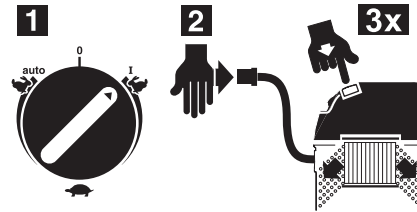
Class M vacuum cleaners are equipped with additional electronics for optimum operation, controlling the machine and filter system status and adjusting the pressure-air flow and the suction force.

FILTER CLEANING SYSTEMS:

Press & Clean

Fast and simple filter cleaning

With **Press & Clean** all you have to do to clean the filter is block the inlet fitting or the hose, and press and release the filter cleaning button. Powerful air pulses will clean the filter precisely from the inside out.

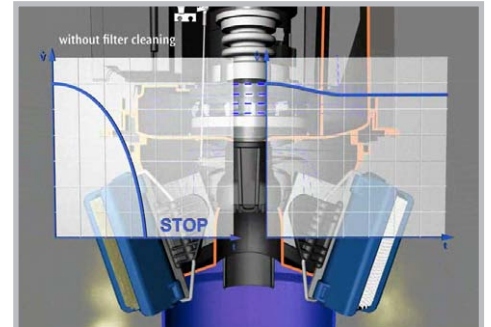
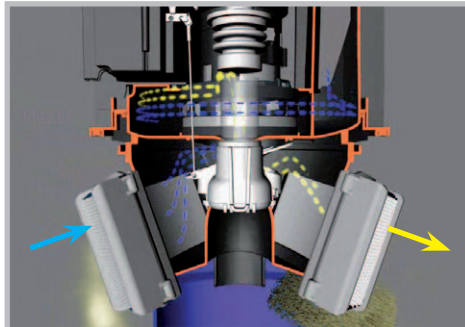
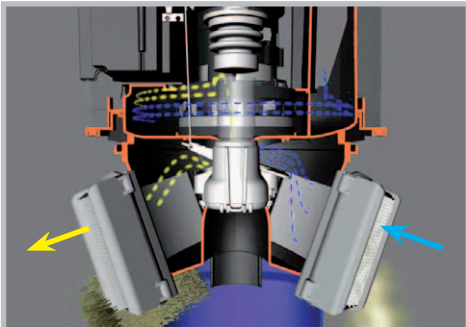


Automatic Clean

Automatic Filter Cleaning System

A valve automatically controlled by an actuating motor ensures changing the direction of the air flow and immediate cleaning the filter every 30 seconds.

The process is automatic and does not require interrupting the operation thus increasing efficiency.



ACCESSORIES:

- **Air box** allows attaching pneumatic tools to the vacuum cleaner.



- Washable PET filter for multiple use and prolonged life (VC 1530SP).

- Curved flat filter (VC 1530SA) - washable, for multiple use.



SPARKY Power Tools GmbH

20, Leipziger Strasse
10117 Berlin, Germany
Tel.: +49 30 203916-0
Fax: +49 30 203916-66

E-mail: powertools@sparkygroup.com